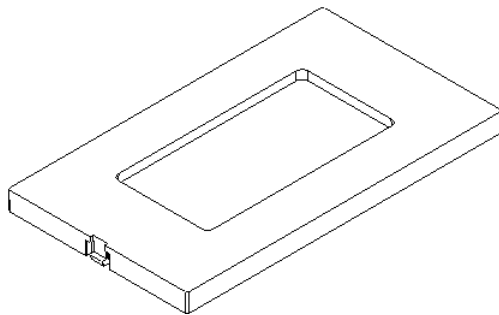
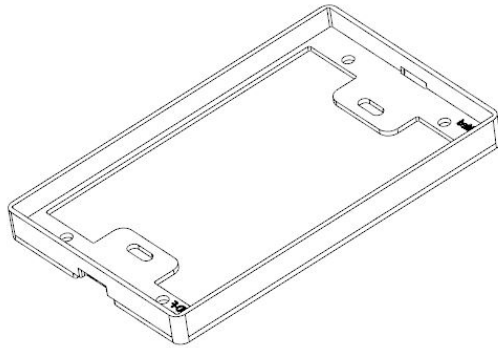


Smoothline® Flush-mount Wall Plate System for Wood

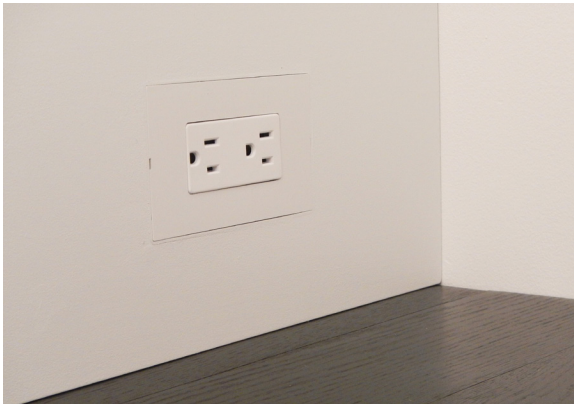
Part No: WD-100-1-WH



Description

Wall plate system for flush-mounting common outlets and switches in wood construction. Two-piece design, including flange and final cover. Use the Smoothline Wood Template to rout out a flange recess in the wood. Using an old-work junction box (Carlson B114R preferred), insert the flange and outlet, switch or accessory and insert the final cover. Final cover snaps in without screws for a clean, modern look.

Utilize template TM-WD-100-1 to rout flange opening.



Product Specifications

Gang: 1
Color: White
Usage: Flush-mount for wood surface
Material: Flame retardant PC/ABS
Listing: UL/CSA, meets NEMA WD-6
Warranty: 90 days

Features and Benefits

- Mounts so outlets, switches or A/V accessories are flush with the wall
- Use the Smoothline Wood Template to create a recess that fits the flange
- Final cover has no visible screws

MADE IN



U. S. A.

DesignMod LLC
P.O. Box 13625

S. Lake Tahoe, CA 96151

www.DesignMod.com
888-708-3663

info@designmod.com

©2015 DesignMod LLC